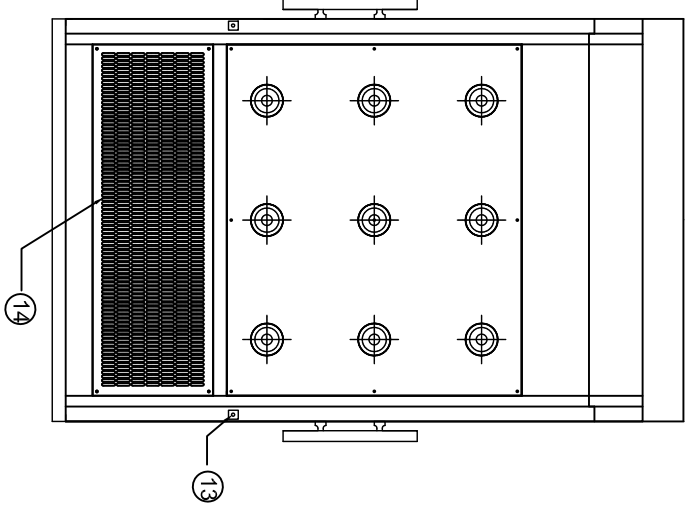
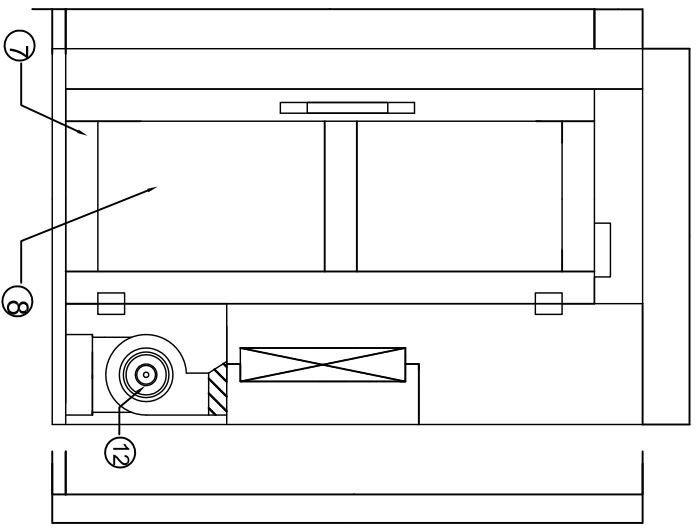
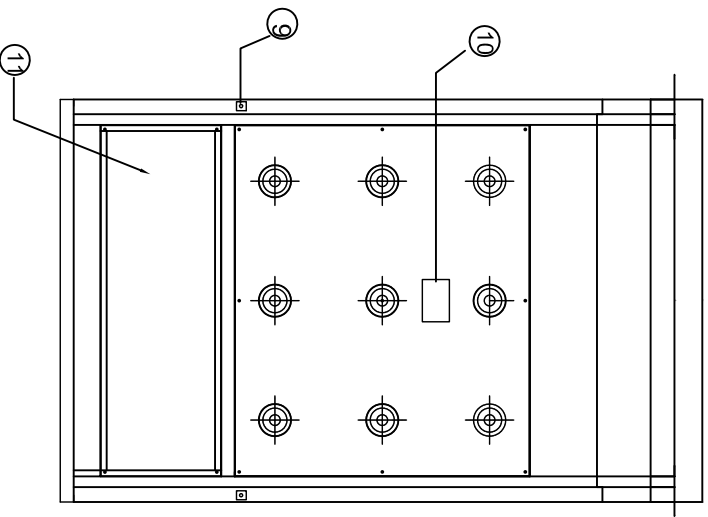


**SPECIFICATIONS**

NO	PART NAME	Q'TY	NO	PART NAME	Q'TY
1	LED LAMP		8	TEMPERED GLASS	
2	AIR NOZZLE		9	INTERLOCK	
3	DOOR HANDLE		10	CONTROL	
4	DOOR CLOSER		11	ELECTRICAL	
5	HINGE		12	POTTER	
6	HEPA FILTER		13	LIMIT	
7	DOOR		14	PRE FILTER	



We have pursued even more different technology, which enables our client to be satisfied, designed by SEGI SYSTEM CO., LTD.  
<http://www.segialr.co.kr>

DRAWING TITLE

**Airshower manual lay-out**

DATE

**2013.12.27.**